



# Installation instructions, accessories

Volvo Car Corporation Gothenburg, Sweden

Instruction No	Version	Part. No.
31664205	1.0	31659052

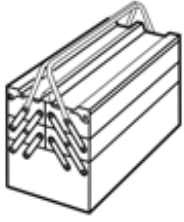
## Media player 7"



# Installation instructions, accessories

Volvo Car Corporation Gothenburg, Sweden

## Equipment

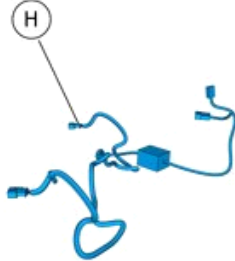
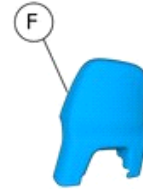
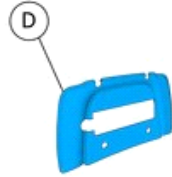
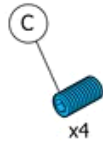
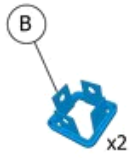
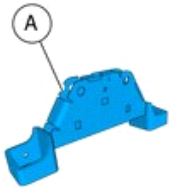


A0000162



IMG-239664

Nm  
lbf.ft



IMG-423340



# Installation instructions, accessories

Volvo Car Corporation Gothenburg, Sweden

## Information

1

Read through all of the instructions before starting installation.

Notifications and warning texts are for your safety and to minimise the risk of something breaking during installation.

Ensure that all tools stated in the instructions are available before starting installation.

Certain steps in the instructions are only presented in the form of images. Explanatory text is also given for more complicated steps.

In the event of any problems with the instructions or the accessory, contact your local Volvo dealer.

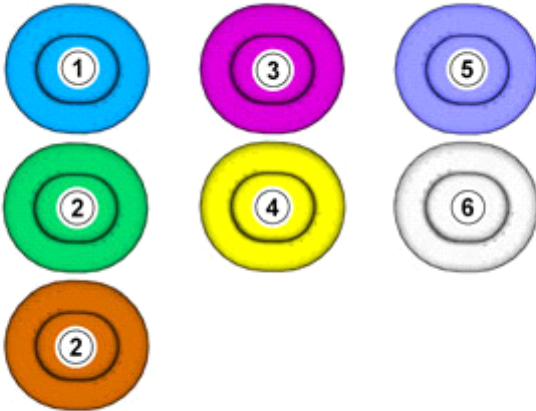
## Further information

2

There may be parts in the accessories kit that are not needed for this installation.

## Color symbols

3



IMG-363036

### Note!

This colour chart displays (in colour print and electronic version) the importance of the different colours used in the images of the method steps.

- Used for focused component, the component with which you will do something.
- Used as extra colors when you need to show or differentiate additional parts.
- Used for attachments that are to be removed/installed. May be screws, clips, connectors, etc.
- Used when the component is not fully removed from the vehicle but only hung to the side.
- Used for standard tools and special tools.
- Used as background color for vehicle components.

## Removal



# Installation instructions, accessories

Volvo Car Corporation Gothenburg, Sweden

4

**Note!**

The removal steps may contain installation details.

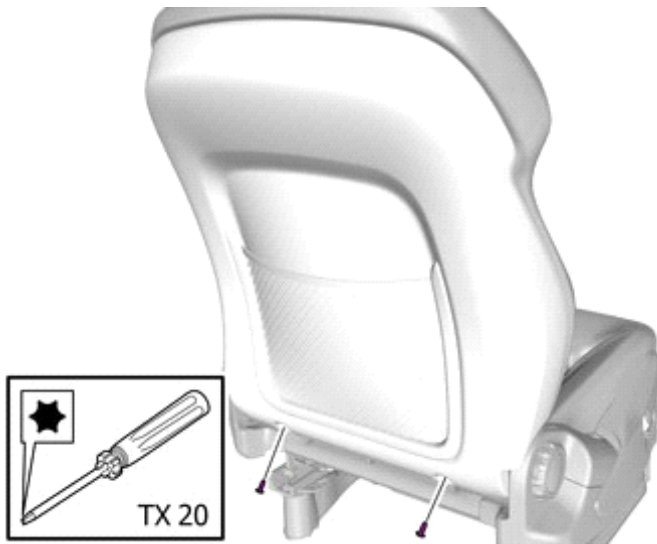
5



IMG-394500

6

Remove the screws.



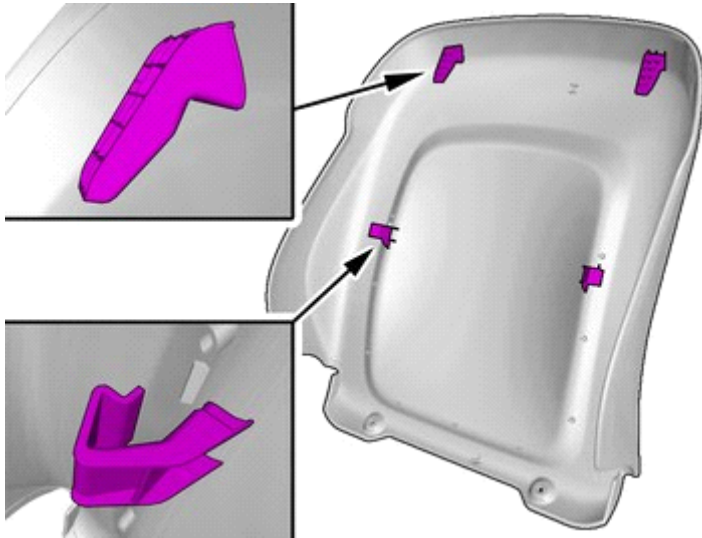
IMG-394038



# Installation instructions, accessories

Volvo Car Corporation Gothenburg, Sweden

7

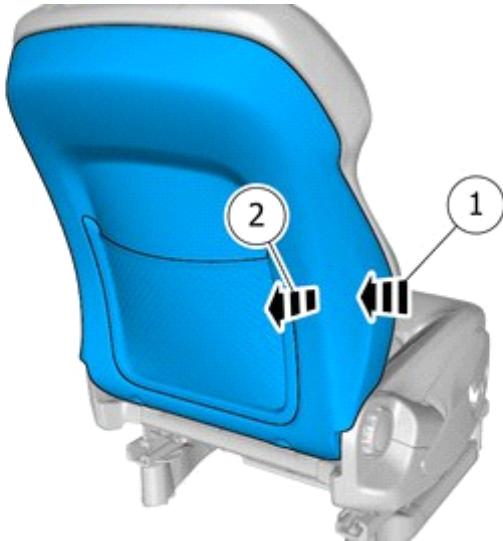


IMG-394018

**Note!**

The graphic shows the back of the component before removal.

8

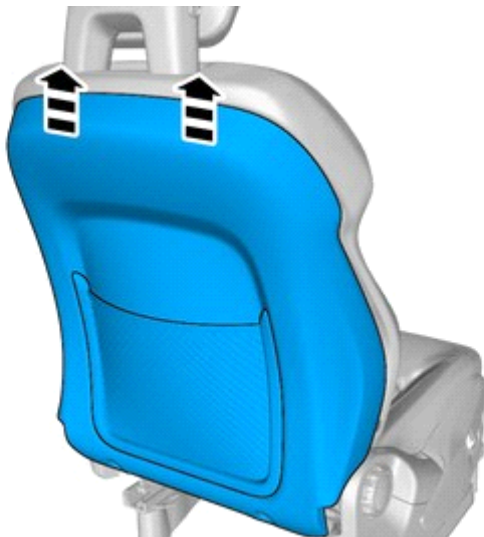


IMG-394039

**Note!**

Perform the procedure one side at a time.

9



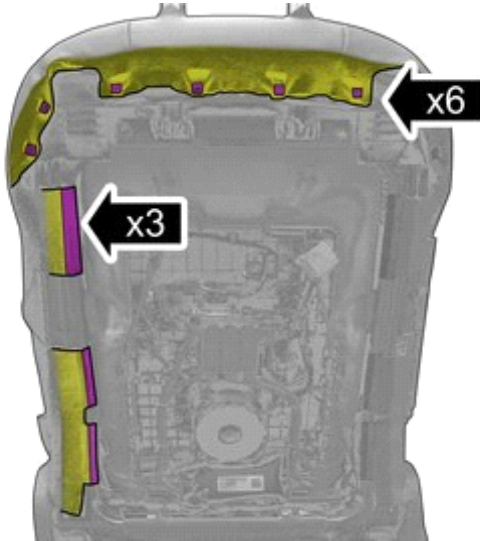
IMG-394056



# Installation instructions, accessories

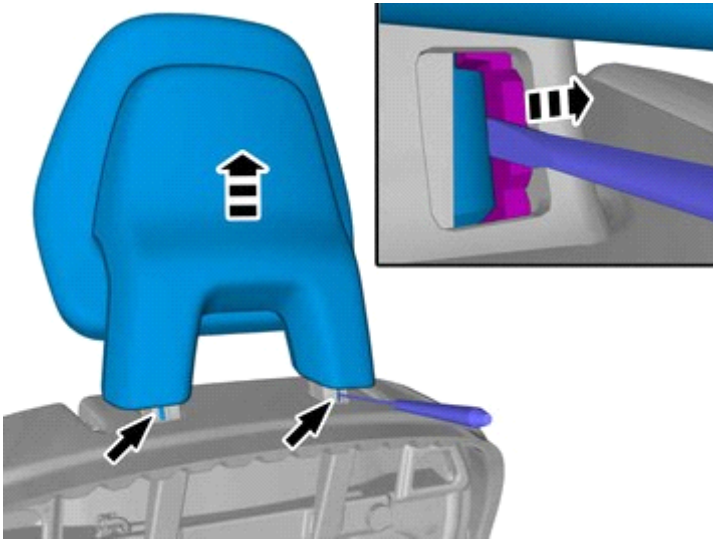
Volvo Car Corporation Gothenburg, Sweden

10



IMG-399420

11



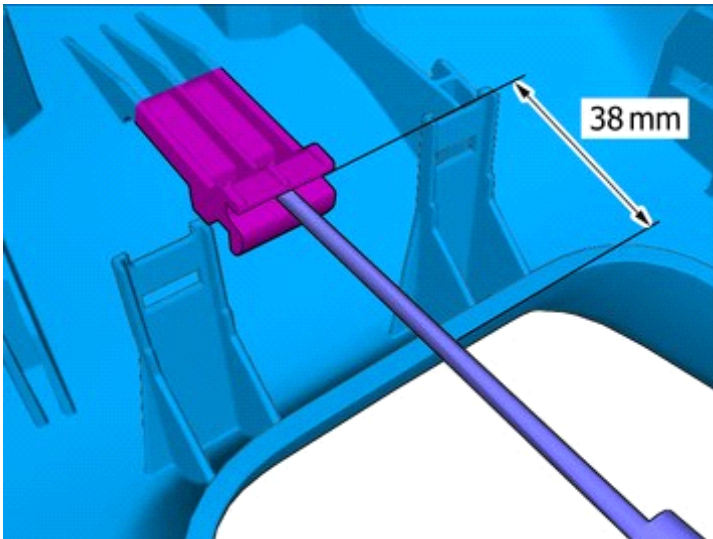
IMG-403590

The image shows seat without upholstery.

Release the locks.

Remove the marked part.

12



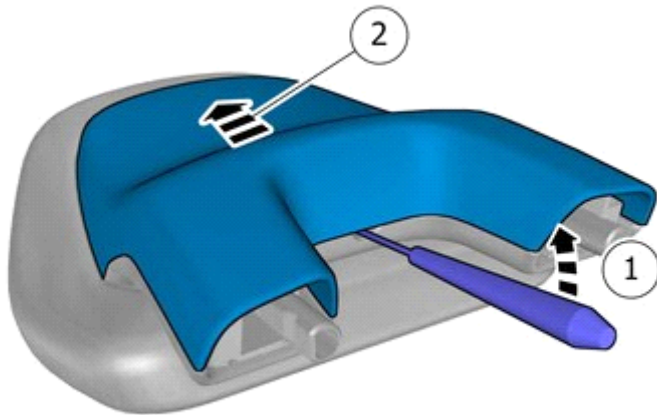
IMG-403751

**Note!**

The graphic shows the back of the component before removal.



13

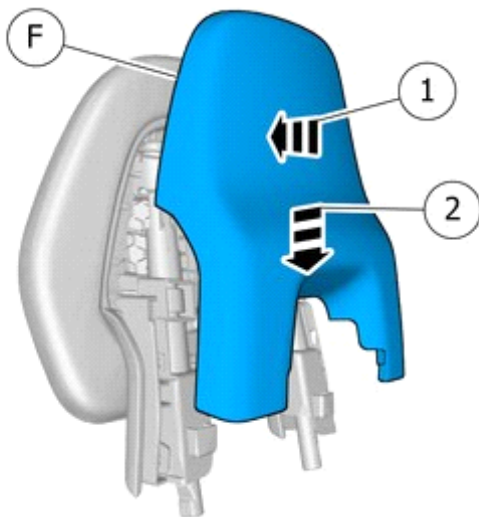


IMG-403745

## Accessory installation

### Concerns installation of accessories on both seats

14



IMG-405590

Install component that comes with the accessory kit.

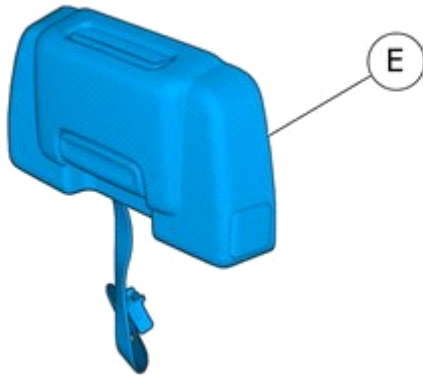
Ensure that all clips engage.



# Installation instructions, accessories

Volvo Car Corporation Gothenburg, Sweden

15

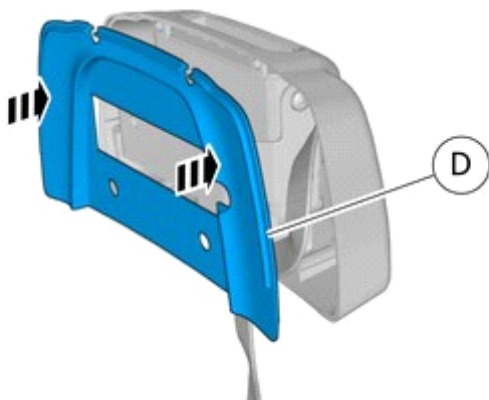


IMG-421018

16

Install component that comes with the accessory kit.

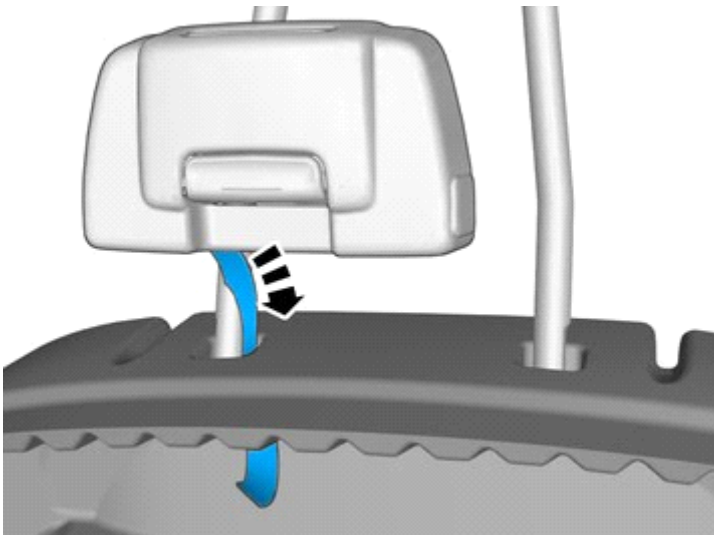
Make sure that the gasket is correctly located.



IMG-421016

17

Pull the wiring through.



IMG-420767

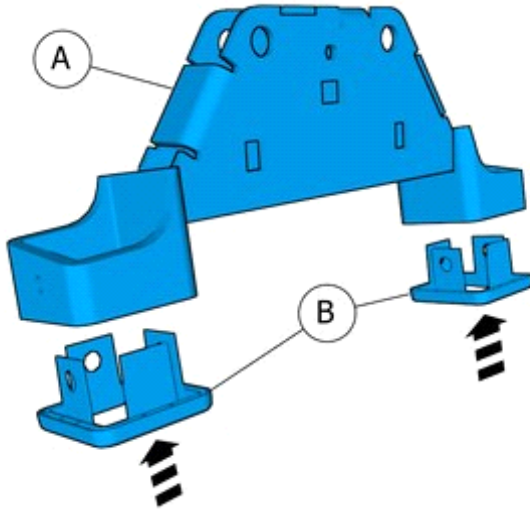




# Installation instructions, accessories

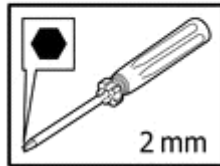
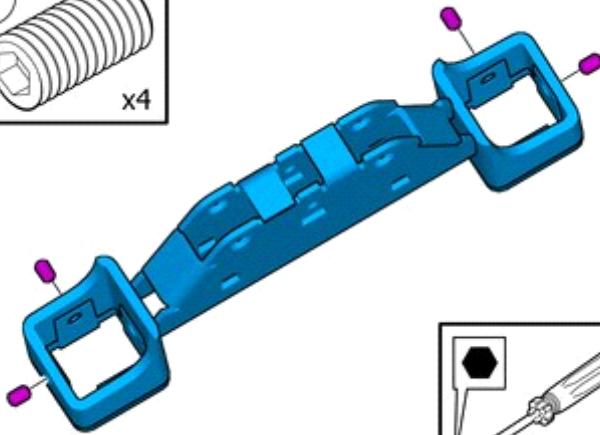
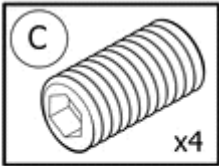
Volvo Car Corporation Gothenburg, Sweden

18



IMG-405870

19

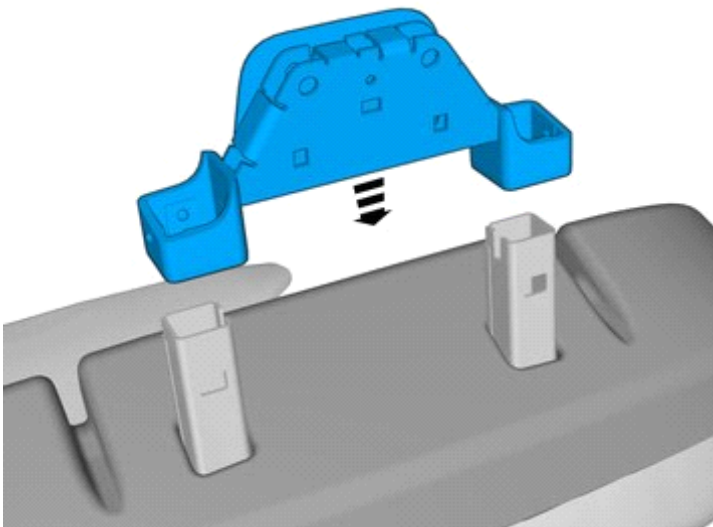


IMG-405800

**Note!**  
Maximum 2 turns.

Install the screws.

20



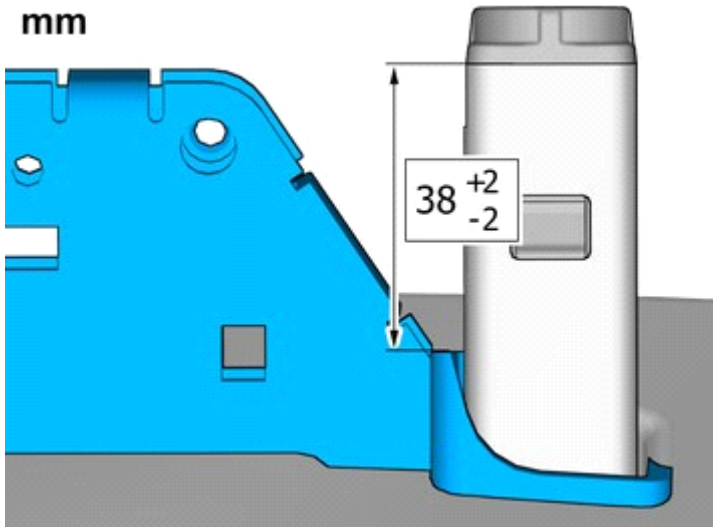
IMG-420792



# Installation instructions, accessories

Volvo Car Corporation Gothenburg, Sweden

21 mm

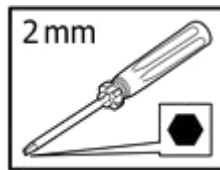
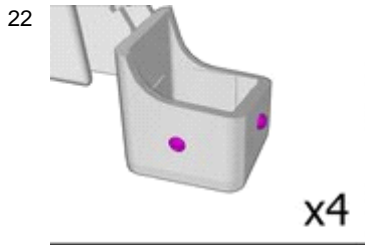


IMG-408170

**Note!**

This step is easier with two people.

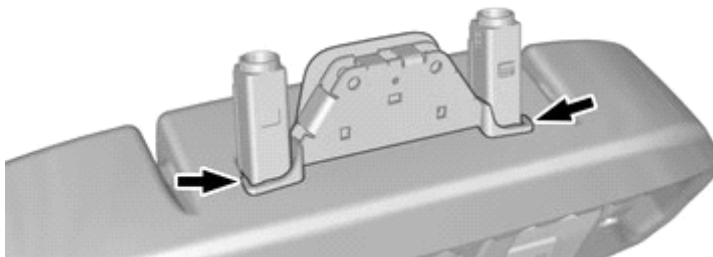
Adjust to the specified value.



**Note!**

This step is easier with two people.

Tighten the bolts.



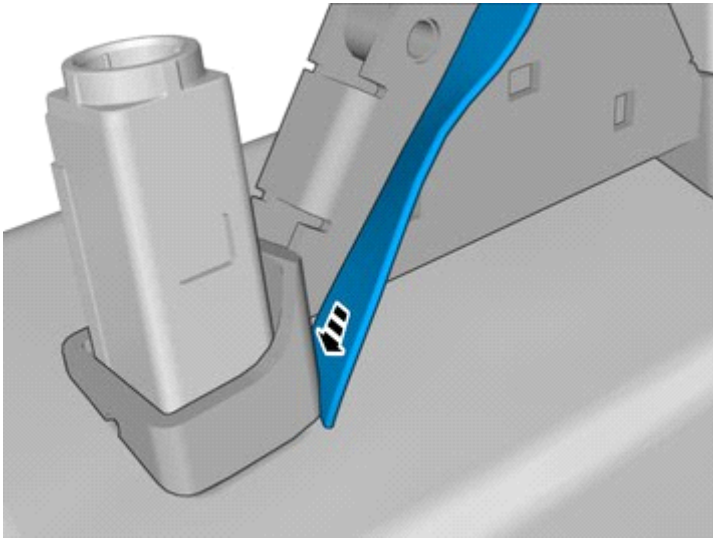
IMG-420816



# Installation instructions, accessories

Volvo Car Corporation Gothenburg, Sweden

23



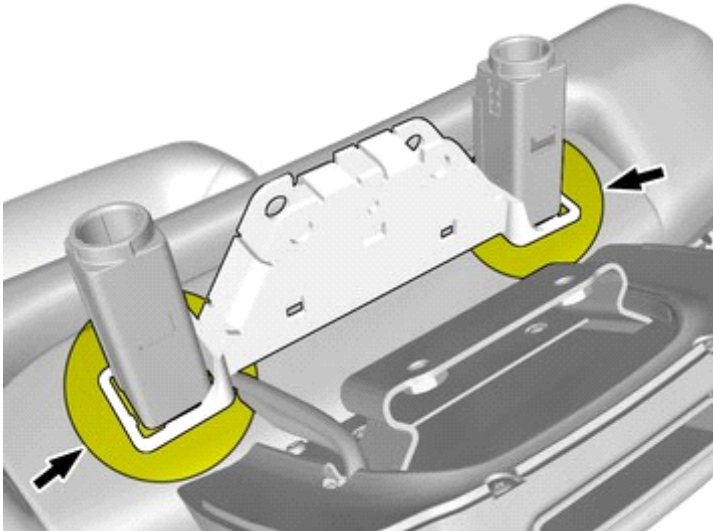
IMG-420842

**Note!**

Note the position.

Position/route the cable harness as illustrated.

24

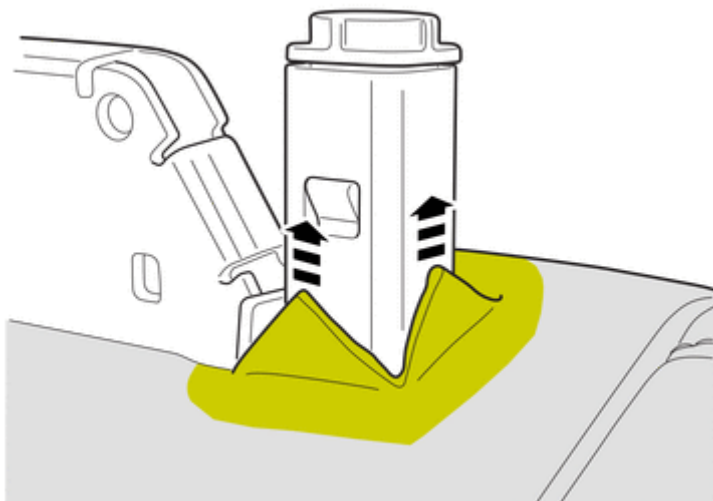


IMG-406221

**Note!**

Orientation view

25



IMG-407340

**Caution!**

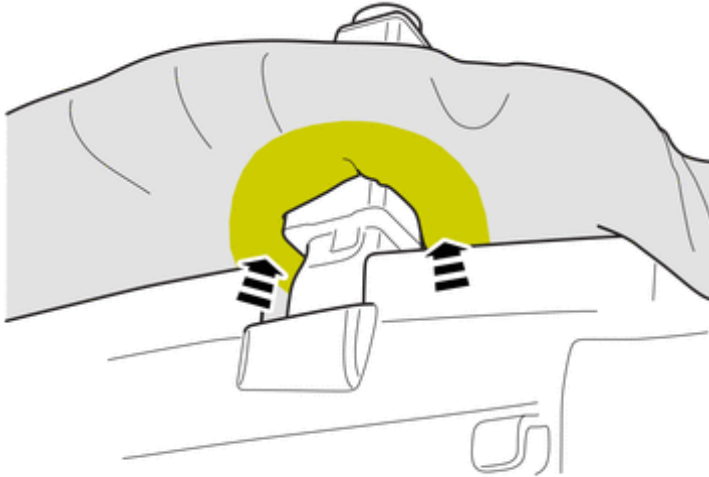
Pull up the upholstery to cover lower part of bracket.



# Installation instructions, accessories

Volvo Car Corporation Gothenburg, Sweden

26

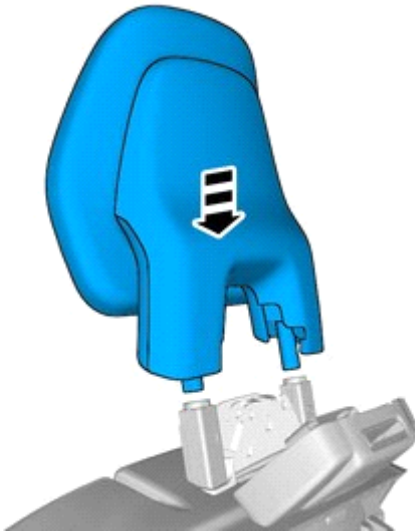


**Caution!**

Press the foam padding upward against the upholstery.

IMG-407341

27

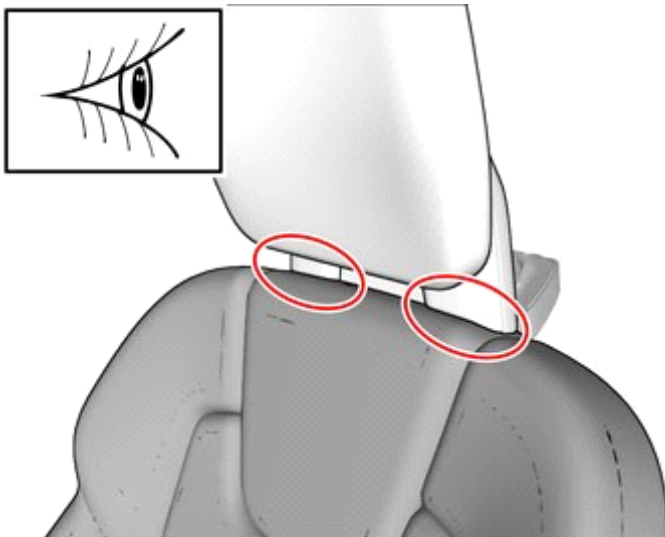


**Caution!**

Check that the component has locked in its bottom position.

IMG-405592

28



**Note!**

Make sure that the backrest upholstery touches the head restraint, showing no space in between.

Compare with upholstery and head restraint on the other front seat.

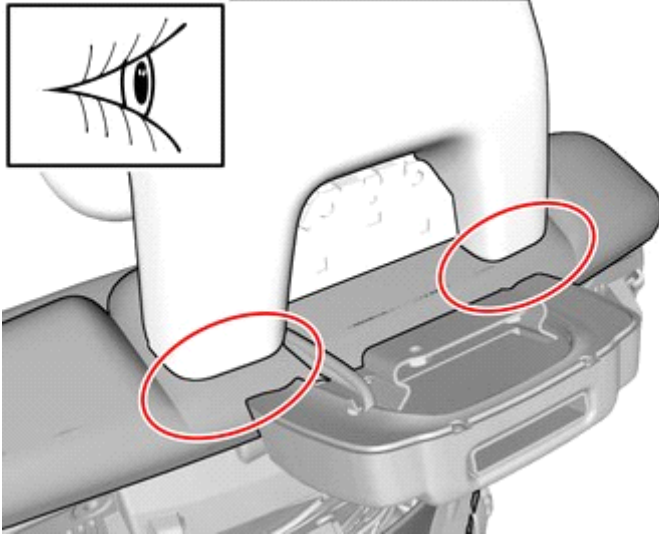
IMG-414067



# Installation instructions, accessories

Volvo Car Corporation Gothenburg, Sweden

29



IMG-413617

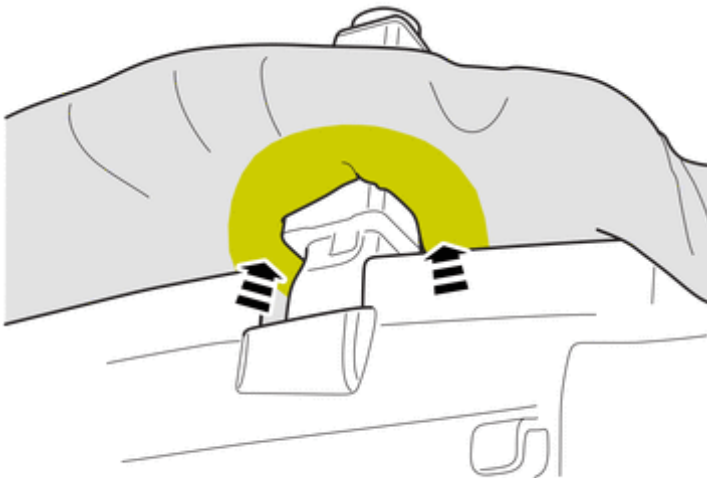
**Note!**

Make sure that the backrest upholstery touches the head restraint, showing no space in between.

Compare with upholstery and head restraint on the other front seat.

If adjustment is necessary, follow the procedure described in the method step below.

30



IMG-407341

**Caution!**

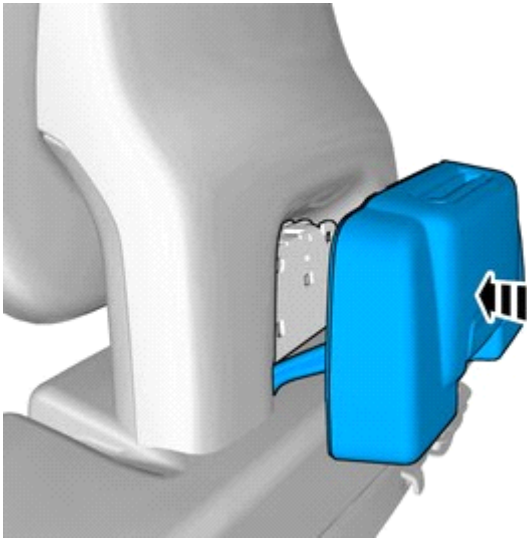
Press the foam padding upward against the upholstery.



# Installation instructions, accessories

Volvo Car Corporation Gothenburg, Sweden

31

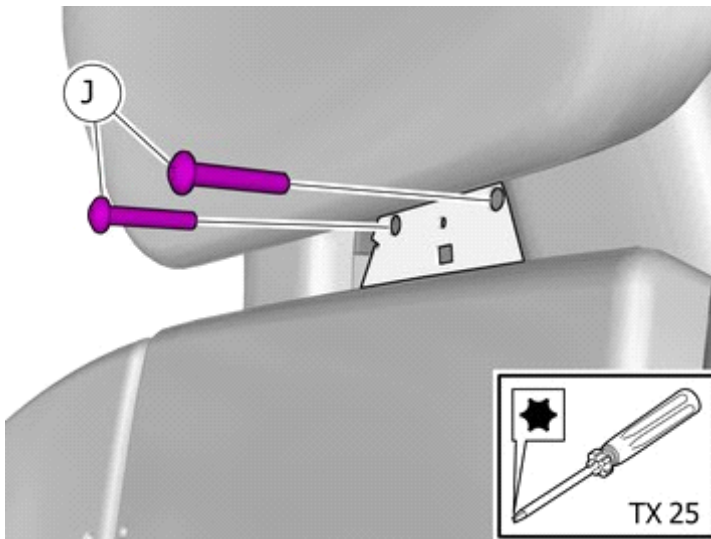


IMG-420877

Place the component where indicated in the graphic.

Adjust the position of the wiring harness.

32



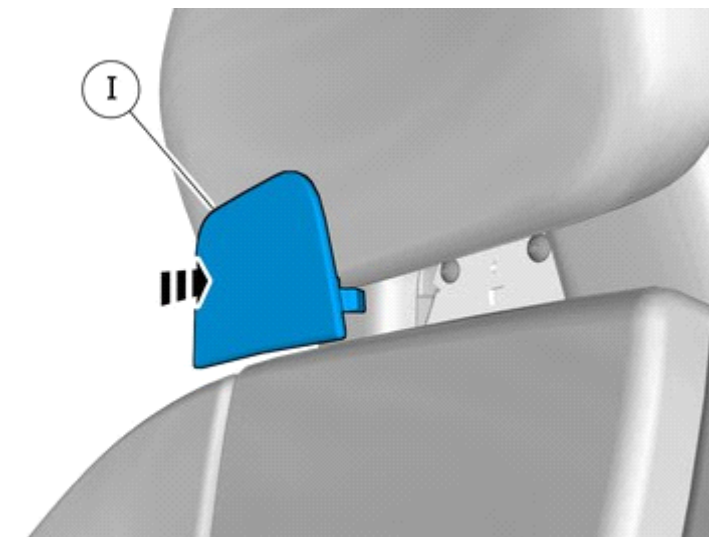
IMG-421060

Install the screws.

Make sure that the gasket is correctly located.

Tighten the bolts.

33



IMG-421061

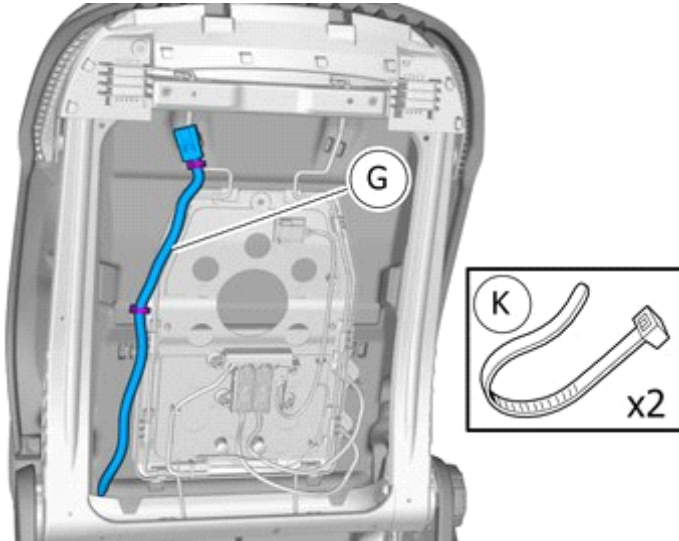
Install component that comes with the accessory kit.



# Installation instructions, accessories

Volvo Car Corporation Gothenburg, Sweden

34



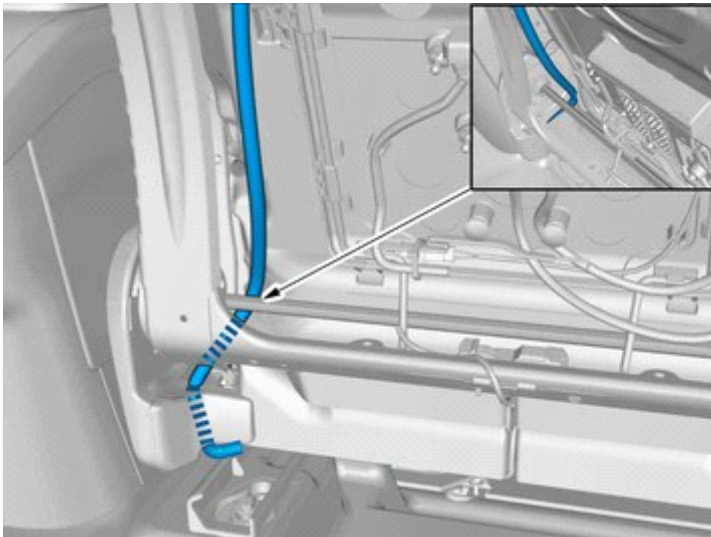
IMG-421022

Install component that comes with the accessory kit.

Position/route the cable as illustrated.

Tighten the cable ties.

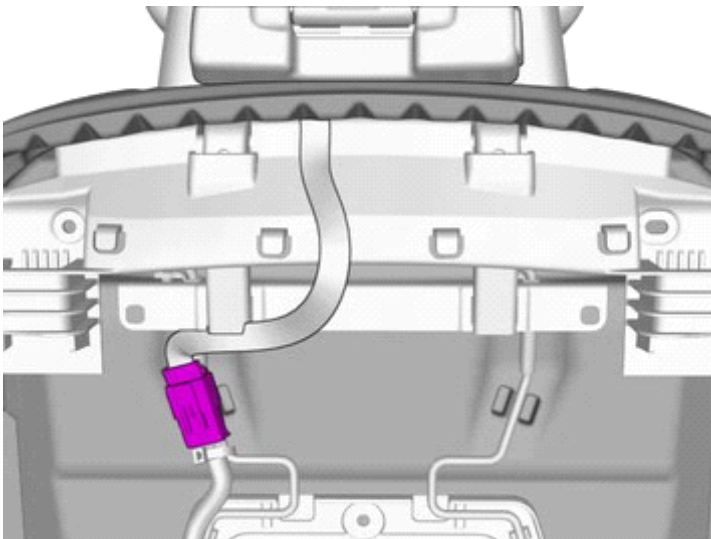
35



IMG-423633

Position/route the cable as illustrated.

36



IMG-420895

Connect the connector.

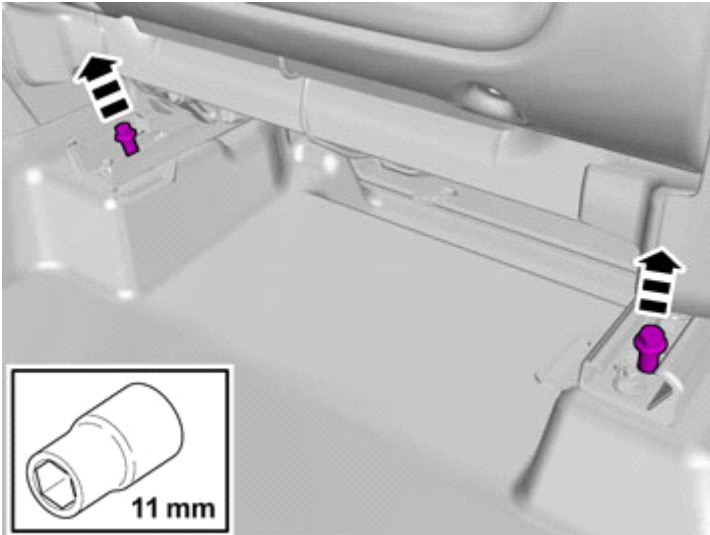


# Installation instructions, accessories

Volvo Car Corporation Gothenburg, Sweden

## Removal

37



IMG-383130

Remove the screws.

**Tightening torque:** Front seat to body , 40 Nm

38



IMG-397249

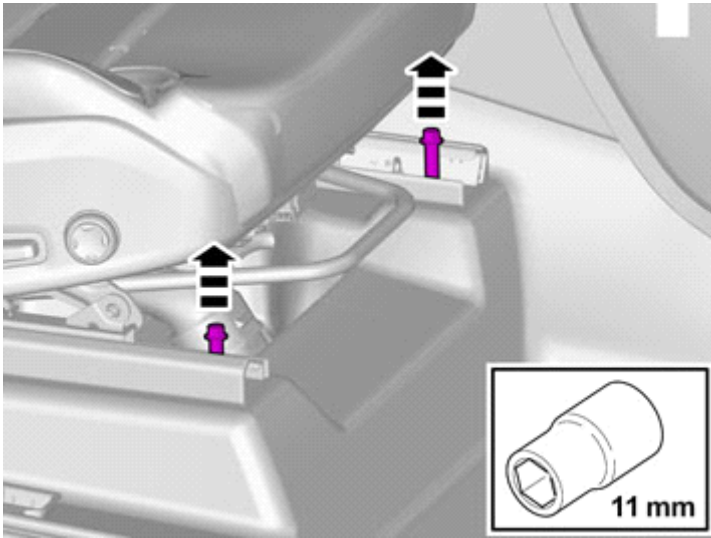




# Installation instructions, accessories

Volvo Car Corporation Gothenburg, Sweden

39



IMG-383129

Remove the screws.

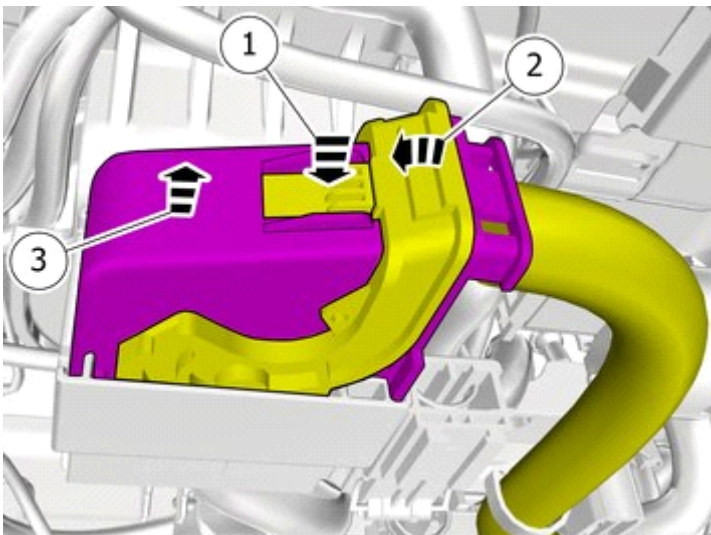
**Tightening torque:** Front seat to body , 40 Nm

40



IMG-383134

41



IMG-396605

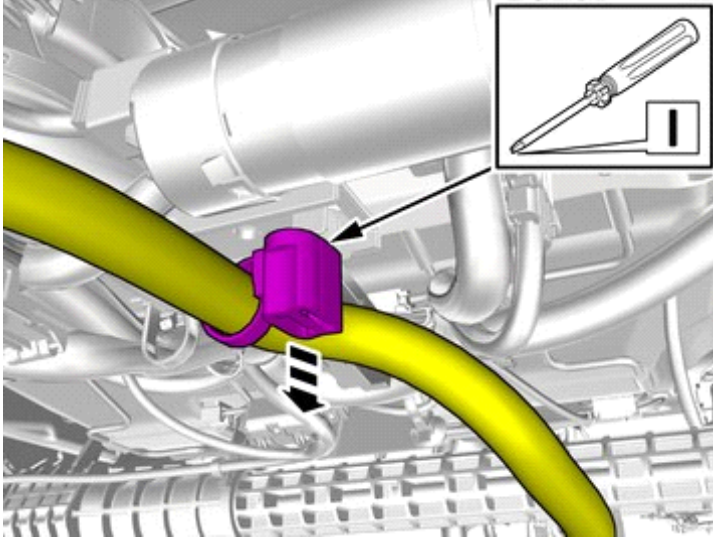
- Release the connector's catch.
- Release the lock.
- Disconnect the connector.



# Installation instructions, accessories

Volvo Car Corporation Gothenburg, Sweden

42



IMG-396606

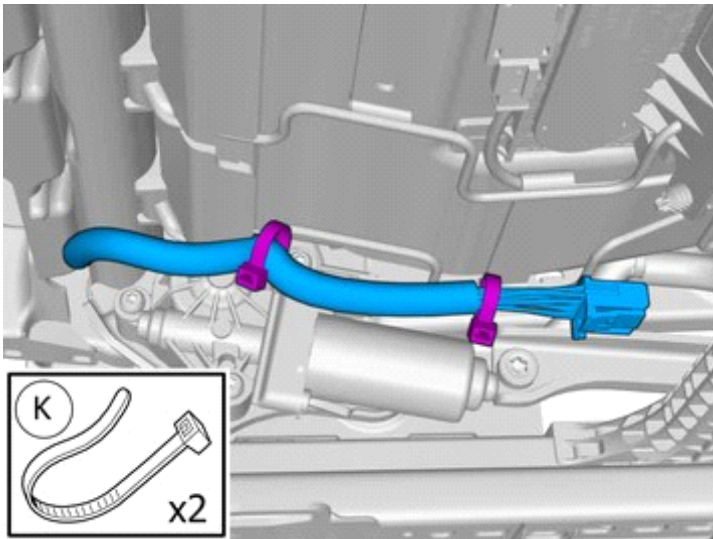
Unhook the cable harness clips.

43



IMG-397252

44



IMG-420976

Position/route the cable as illustrated.

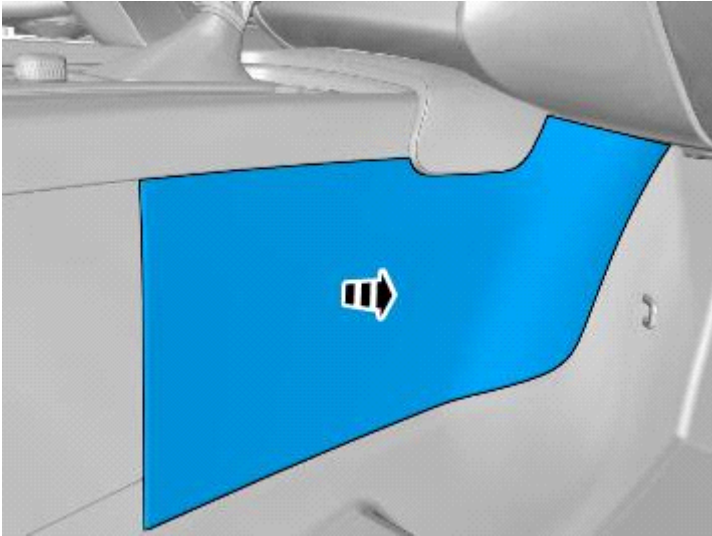
Tighten the cable ties.



# Installation instructions, accessories

Volvo Car Corporation Gothenburg, Sweden

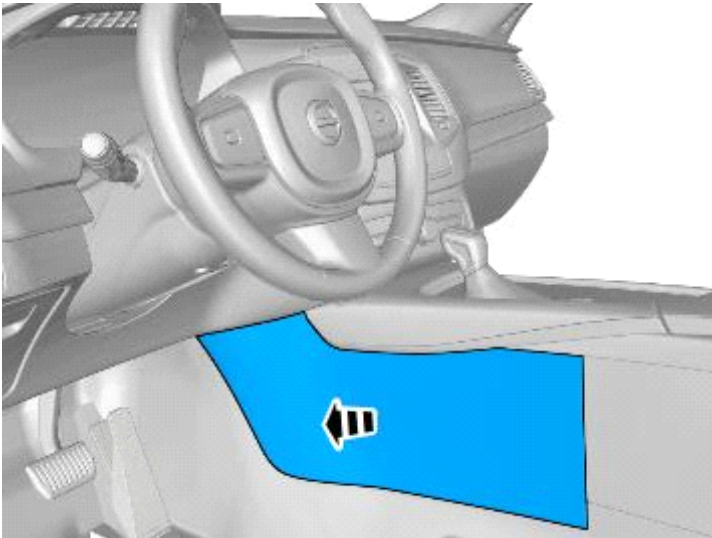
45



IMG-383729

Remove the marked part.

46



IMG-383708

Remove the marked part.

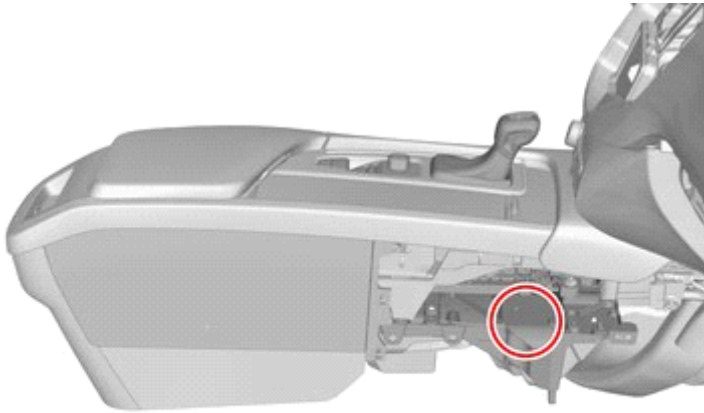
**Accessory installation**



# Installation instructions, accessories

Volvo Car Corporation Gothenburg, Sweden

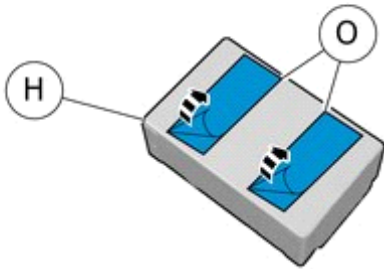
47



**Note!**  
Orientation view

IMG-423670

48



Install component that comes with the accessory kit.

Remove the protective film.

IMG-421360

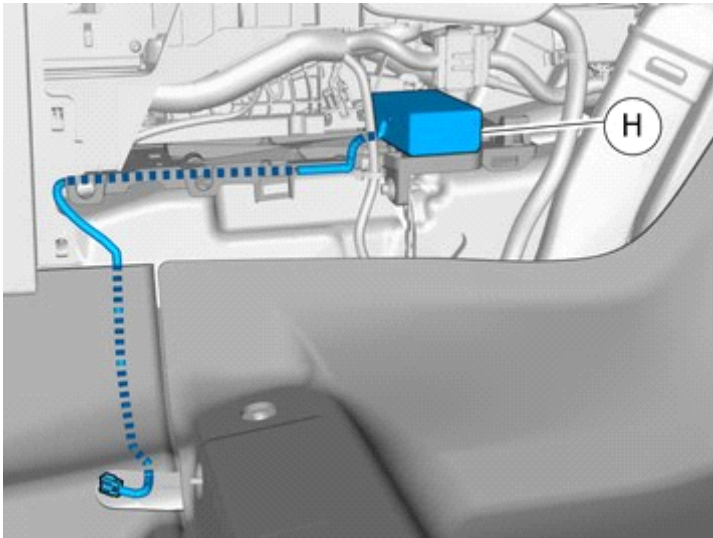
**Vehicles with 2-zone Air Conditioning system AC**



# Installation instructions, accessories

Volvo Car Corporation Gothenburg, Sweden

49



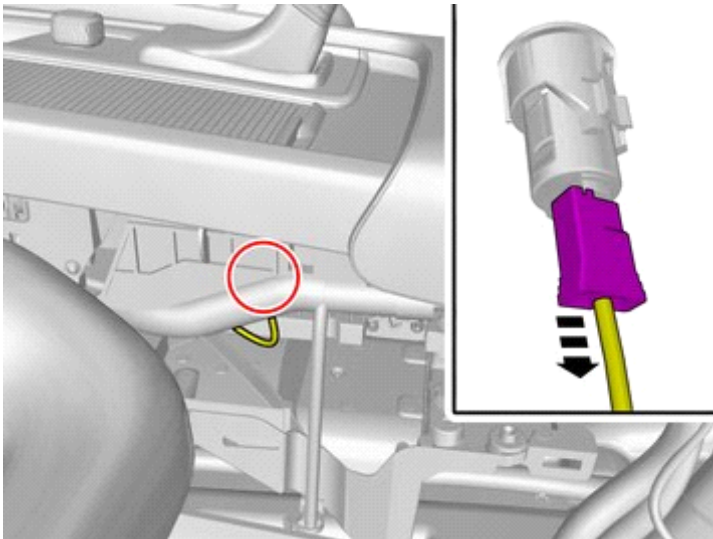
IMG-423762

Install component that comes with the accessory kit.

Position/route the cable as illustrated.

Place any excess inside the floor carpet.

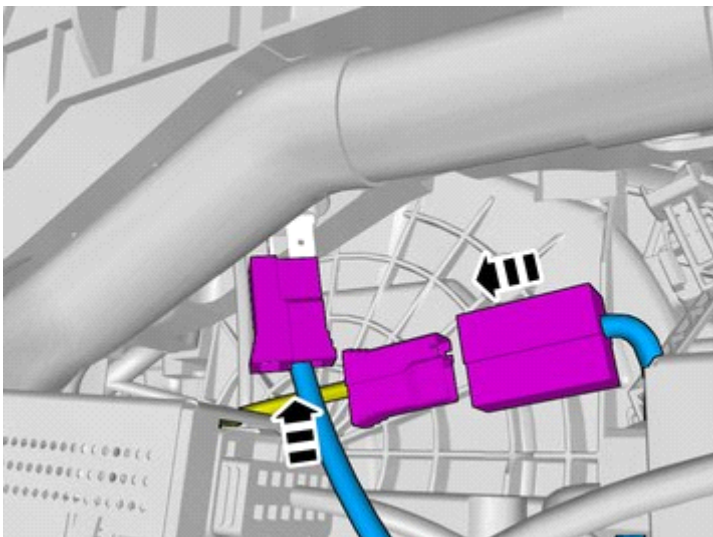
50



IMG-394435

Disconnect the connector.

51



IMG-394235

Connect the connectors.

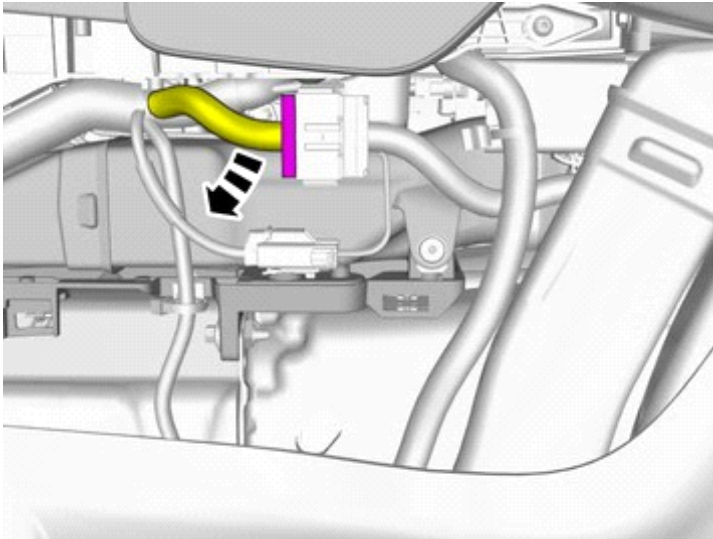


# Installation instructions, accessories

Volvo Car Corporation Gothenburg, Sweden

## Vehicles with 4-zone Air Conditioning system AC

52



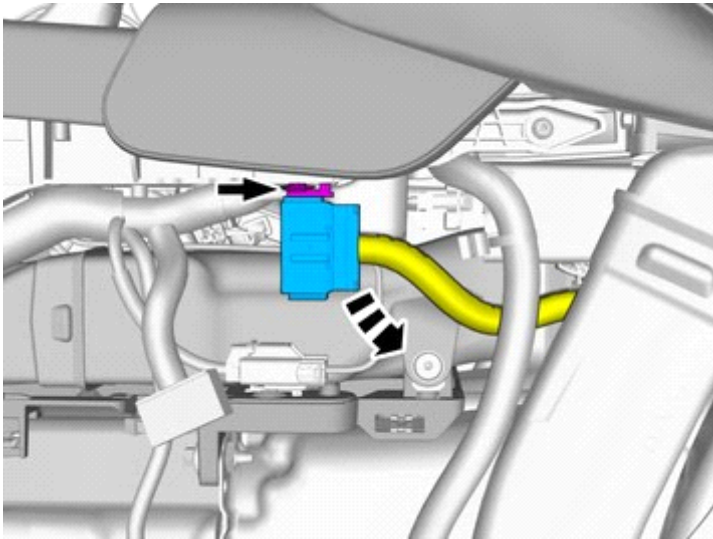
IMG-423355

Depress the locking device.

Disconnect the connector.

Fold marked part to one side.

53



IMG-423400

Loosen the clip.

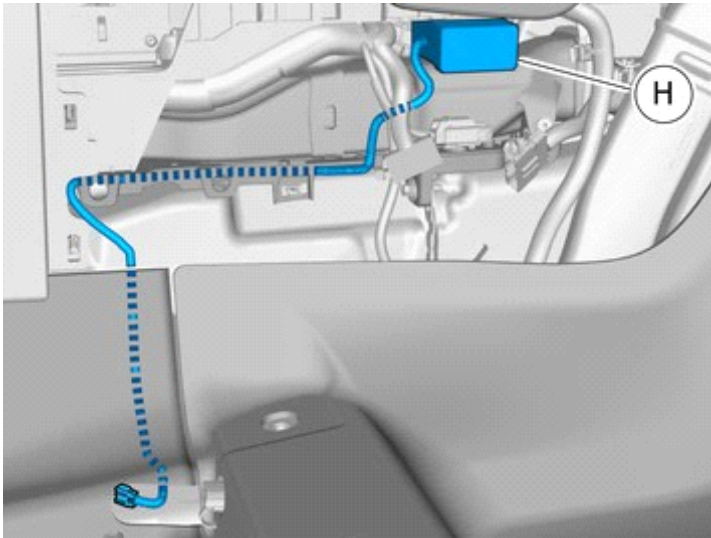
Fold marked part to one side.



# Installation instructions, accessories

Volvo Car Corporation Gothenburg, Sweden

54



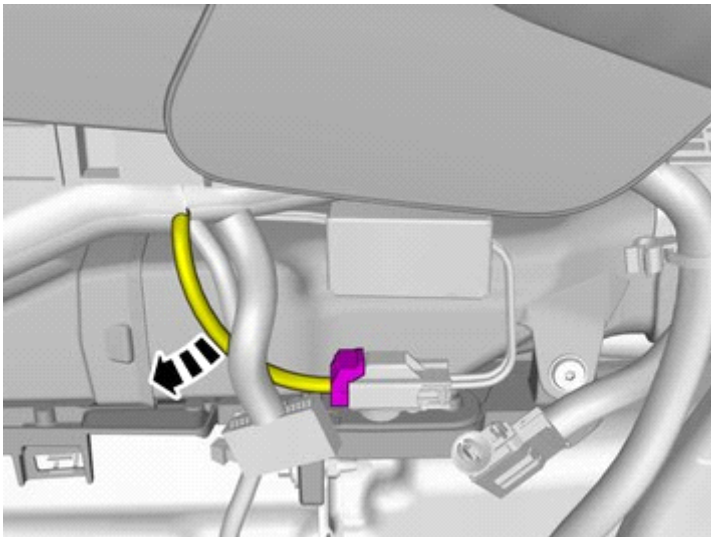
IMG-423735

Install component that comes with the accessory kit.

Position/route the cable as illustrated.

Place any excess inside the floor carpet.

55



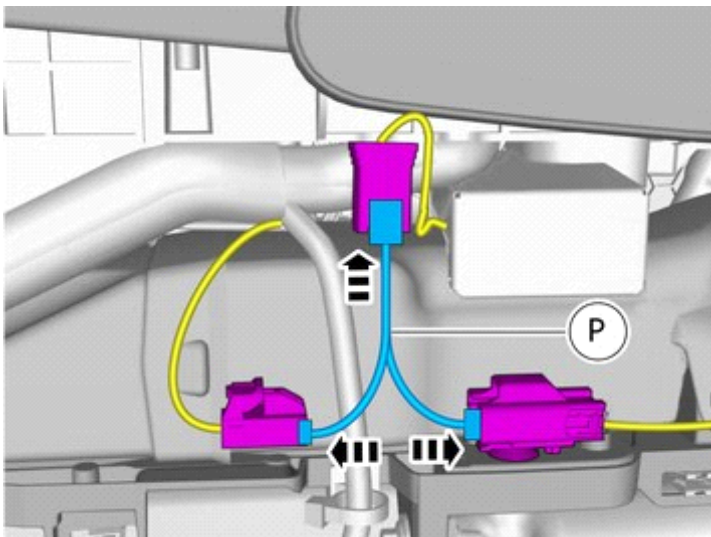
IMG-423776

Depress the locking device.

Disconnect the connector.

Fold marked part to one side.

56



IMG-423858

Install component that comes with the accessory kit.

Connect the connectors.

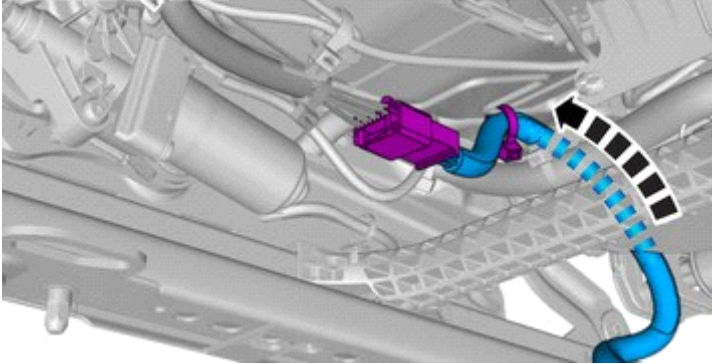
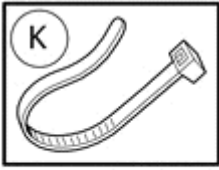


# Installation instructions, accessories

Volvo Car Corporation Gothenburg, Sweden

## All vehicles

57



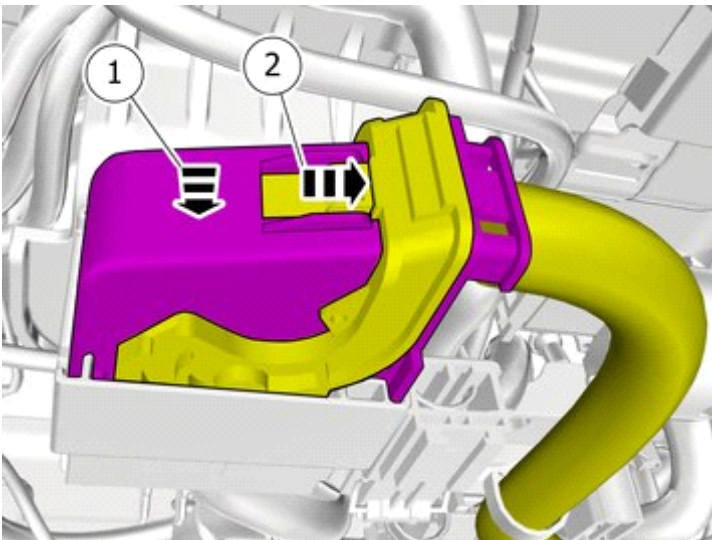
IMG-421251

Position/route the cable as illustrated.

Tighten the cable tie.

## All vehicles

58



IMG-406061

Connect the connector.

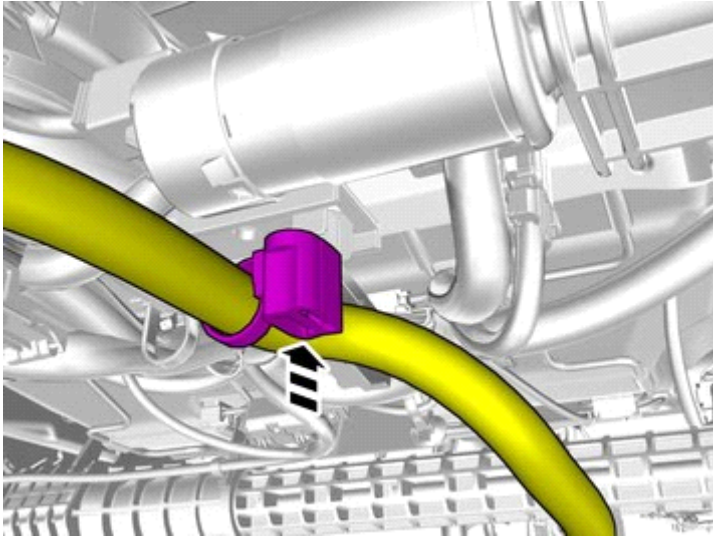




# Installation instructions, accessories

Volvo Car Corporation Gothenburg, Sweden

59



IMG-406062

Install the wiring harness.

---

**Concerns installation of accessories on both seats**

60

Repeat the steps when installing accessories on opposite side.

---

**Installation**

61

Reinstall the removed parts in reverse order.

---